

# 1188QA

Optical Splitter



The Emcore Model 1188QA Optical Splitter / Coupler provides the ability to create a variety of point-to-multipoint fiber optic networks. When used with any of Emcore's transmitters it allows a single unit to transmit to as many as 16 optical receivers with low insertion loss and excellent flatness. The splitter / coupler accepts both 1310 nm and 1550 nm optical inputs and splits the signal into the required number of outputs for distribution to separate locations.



Thus allowing the private network provider to configure their exact requirements while providing the most cost-effective solution.

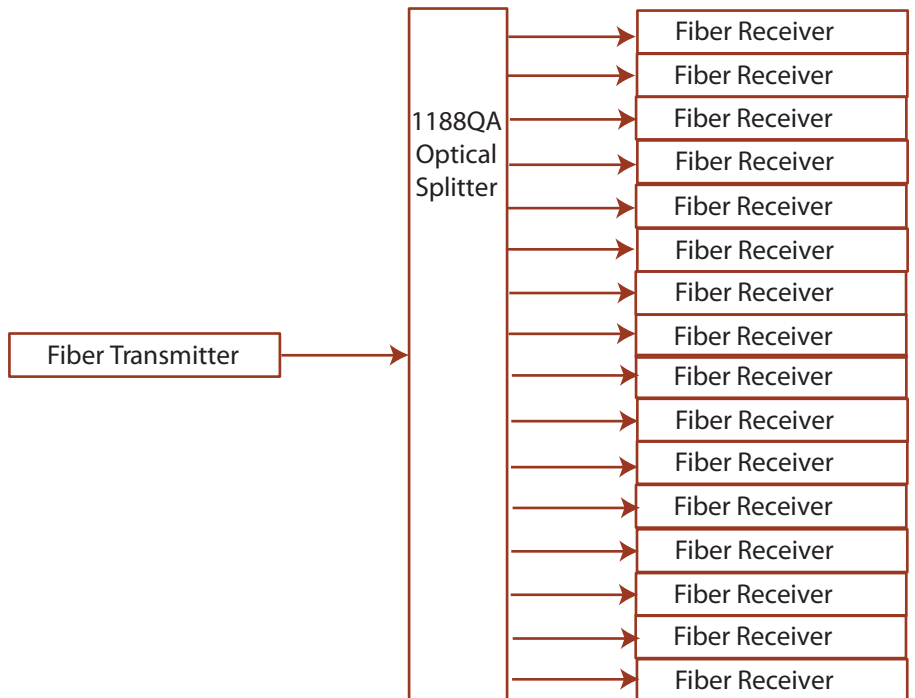
## Features

- 1310 nm & 1550 nm
- Optical interface SC/APC or FC/APC
- Up to 16-way optical splitting
- Custom split ratios
- 1U Rack mountable package

## Applications

- MDU
- CCTV
- Point to multi-point
- Tapped trunk
- Site diversity

## Functional Diagram



## Optical Specifications

Parameter	Symbol	Condition	Min	Max	Units
Insertion Loss					
2-Way			3.5	4.2	dB
4-Way			6.3	7.0	
6-way			8.1	9.1	
8-Way			9.5	10.6	
10-Way			10.5	12.0	
12-Way			11.4	13.2	
16-Way			12.6	14.0	
Port to port uniformity					
2-Way			-	0.7	dB
4-Way			-	1.4	
6-way			-	1.7	
8-Way			-	2.1	
10-Way			-	2.0	
12-Way			-	2.3	
16-Way			-	2.8	
Directivity			50	-	dB
Return Loss			55	-	dB

## General

Specifications	Values
Dimensions	11.9"D x 19"W x 1.75"H
Weight	5.5 lbs
Operating Temperature	-40° to +75°C
Storage Temperature	-45°C to +85°C
Humidity	0 to 95% non-condensing

## Models

	Description
1188QA-SFSP/02	2-way splitter, SC/APC, even split
1188QA-SFAP/02	2-way splitter, FC/APC, even split
1188QA-SFSP/04	4-way splitter, SC/APC, even split
1188QA-SFAP/04	4-way splitter, FC/APC, even split
1188QA-SFSP/06	6-way splitter, SC/APC, even split
1188QA-SFAP/06	6-way splitter, FC/APC, even split
1188QA-SFSP/08	8-way splitter, SC/APC, even split
1188QA-SFAP/08	8-way splitter, FC/APC, even split
1188QA-SFSP/10	10-way splitter, SC/APC, even split
1188QA-SFAP/10	10-way splitter, FC/APC, even split
1188QA-SFSP/12	12-way splitter, SC/APC, even split
1188QA-SFAP/12	12-way splitter, FC/APC, even split
1188QA-SFSP/16	16-way splitter, SC/APC, even split
1188QA-SFAP/16	16-way splitter, FC/APC, even split

■ For units requiring uneven split ratios, for example 90/10 please contact the factory for available models.

Rev. January 22, 2010