

CS-1HDMI-3G

HDMI to 3G HD-SDI Converter with Embedded Audio



DATASHEET

CONVERTER



c-linx series

Features

- Supported HD formats: NTSC 525@59.94, PAL 625@50, 720p@23.98, 720p@24, 720p@25, 720@29.94, 720p@30, 720p@50, 720p@59.94, 720p@60, 1080i@50, 1080i@59.94, 1080i@60, 1080p@23.97, 1080p@24, 1080p@25, 1080p@29.97, 1080p@30, 1080p@50, 1080p@59.94, 1080p@60
- Bit Rate: 2.97 Gbps, 2.967 Gbps, 1.485 Gbps, 1.4835 Gbps, 270 Mbps
- Supports HDMI Deep Color (up to 48-bit color depth)
- SDI compliant output
- External DIP Switch Configuration
- Supports embedded digital audio on the SDI

Applications

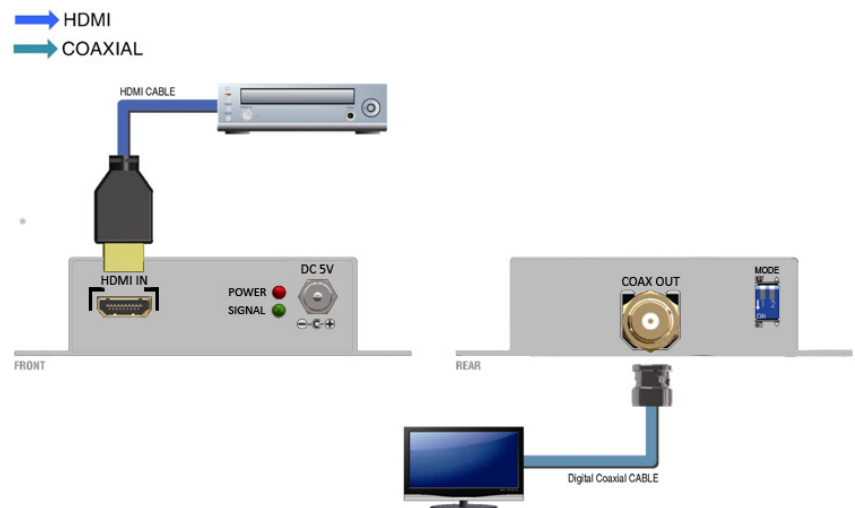
- Broadcast Studios
- Houses of Worship
- CATV Head-ends
- Higher Education

HDMI to 3G HD-SDI Converter with Embedded Audio

EMCORE's CS-1HDMI-3G provides a professional way to convert HDMI to 3G HD-SDI/HD-SDI/SDI in real time. The conversion from HDMI to SDI is pure digital and guarantees the highest quality video and embedded audio conversion possible. Plus, with up to 8 channels embedded audio support, 7.1 channel or 5.1 channel audio becomes available.

The CS-1HDMI-3G also provides a low jitter SDI output for distribution. The CS-1HDMI-3G ensures that architects, integrators, installers and end-users are presented with more options than ever before for designing, installing and operating in an environment that can easily adapt to multiple video formats.

Connection Diagram



CS-1HDMI-3G

HDMI to 3G HD-SDI Converter with Embedded Audio



DATASHEET

CONVERTER

Ordering Information

Model	Description
CS-1HDMI-3G	HDMI Converter Scaler to 3G HD-SDI, stand-alone with power supply

Video

Specifications	Values
Video Inputs	3G HD-SDI, HD-SDI, SDI
Data Rate	2.97 Gbps, 2.967 Gbps, 1.485 Gbps, 1.4835 Gbps, 270 Mbps
Standards	SMPTE 424M, 292M, 296M and 259M
Inputs	1x HDMI
Outputs	1x SDI
BNC connector	75 Ω inter-locked socket
HDMI connector	Type A [19-pin female]

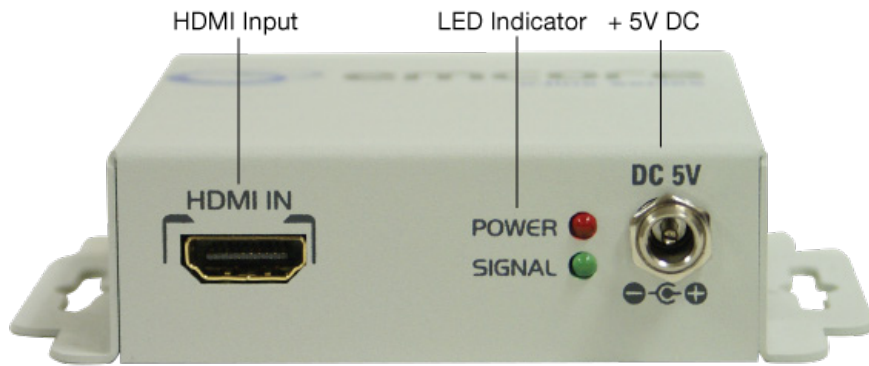
Audio

Specifications	Values
Embedded with HD-SDI	Stereo or up to 8 channels or 7.1 channel or 5.1 channel digital audio

General

Specifications	Values
Input Power	5V 2A DC
Power Consumption	3w max
Weight	8.5oz [241g]
Dimensions	3.1" x 3.3" x 1.2" [79 x 84 x 27mm]
Operating Temperature	0~40°C
Storage Temperature	-20~60°C
Relative Humidity	20~90%
Warranty	1 Year

CS-1HDMI-3G Input Panel



3G HD-SDI/HD-SDI/SDI Output
Dip Switch
ON: Firmware update mode
OFF: Normal mode



CS-1HDMI-3G Output Panel

Compliance

