

CX-1VGA-A-D-IR-DS

VGA Extender with RS-232, IR, Stereo Analog & Digital Audio



DATASHEET

EXTENDER



c-linx series

Features

- Supports up to WUXGA [1920x1200@60] or UXGA [1600x1200@60] to 330m
- Supports 720p Component video signal to 330m (using VGA to component breakout cable)
- Supports RS-232 half-duplex and bi-directional IR pass-through
- Supports stereo analog and digital (S/PDIF) audio
- Video and audio loopback on the transmitter
- Adjustable equalization and gain control on receiving unit for signal tuning
- De-skew compensation available for RGB delay control

Applications

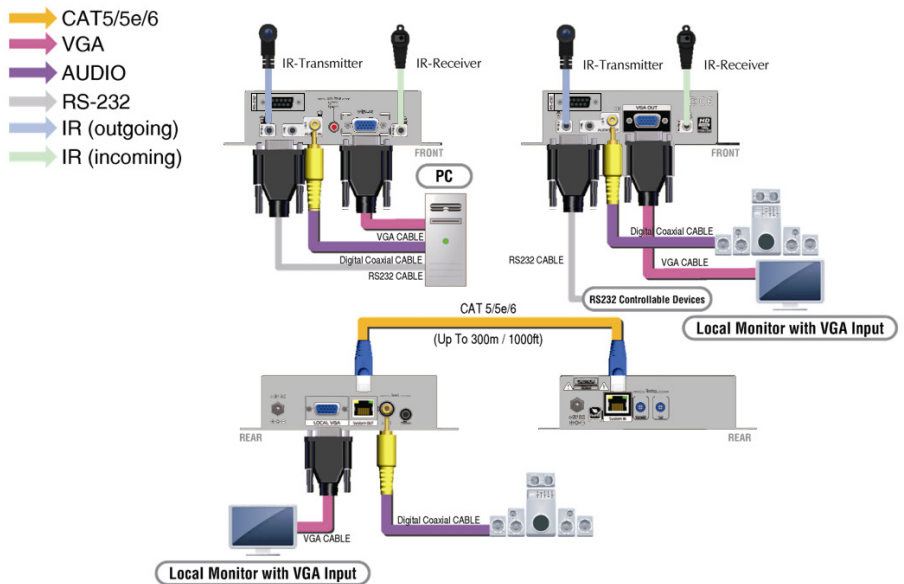
- Digital Signage
- Video Walls
- Conference Rooms
- Houses of Worship
- Higher Education
- Auditoriums
- Theaters

VGA Extender with RS-232, IR, Stereo Analog & Digital Audio

EMCORE's CX-1VGA-A-D-IR-DS provides a professional way to extend VGA or Component video, stereo analog or digital (S/PDIF) audio, bi-directional IR control, and half-duplex serial RS-232, simultaneously on a single CATx cable, up to 330m. Furthermore, the de-skew adjustment provides equalization for RGB signals due to long distances via normal Cat-5/5e/6 cable.

The CX-1VGA-A-D-IR-DS comes as a link, with both transmitter and receiver units. The transmitter is installed near the signal source, and the receiver is placed near the desired VGA projector or display. With the built-in equalization and signal gain control, the transmission path can be adjusted to adapt the cable quality and video bandwidth. The CX-1VGA-A-D-IR-DS ensures that architects, integrators, installers and end-users are presented with more options than ever before for sending analog video to remote displays.

Connection Diagram



CX-1VGA-A-D-IR-DS

VGA Extender with RS-232, IR, Stereo Analog & Digital Audio



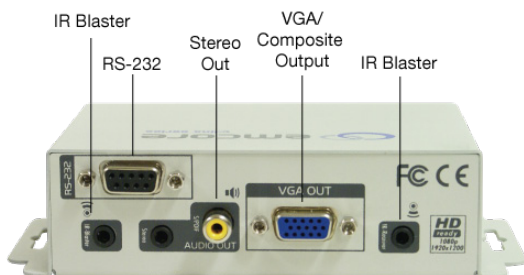
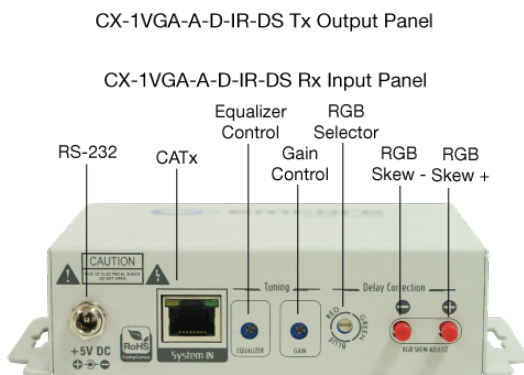
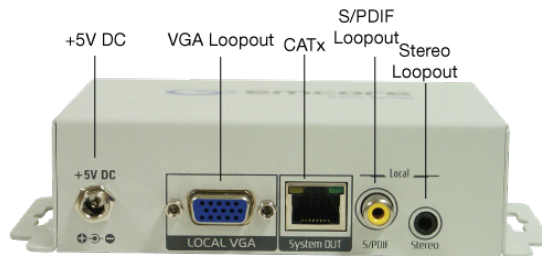
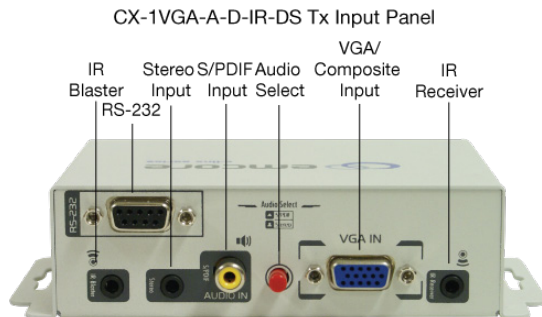
DATASHEET

EXTENDER

Ordering Information

Model	Description
CX-1VGA-A-D-IR-DS	Flangemount VGA/Component (TX and RX) with stereo analog or digital S/PDIF audio, RS-232 and bi-directional IR over single CAT, deskew adjustment, stand-alone with power supplies

Connection Diagram



Video

Specifications	Values
Inputs	VGA, Component, 1.2Vp-p max
Outputs	VGA, Component, 1.2Vp-p max
VGA connector	HD-15 [15-pin D-sub female]
Video transmission	Up to WUXGA [1920x1200 @ 60Hz] or UXGA [1600x1200 @ 60Hz]
Video bandwidth	350 MHz
Video support	VESA

Audio

Specifications	Values
Inputs	Stereo Analog, S/PDIF
Audio connector	3.5mm jack for stereo RCA and 75ohm for S/PDIF

Data

Specifications	Values
Data IRD	Bi-directional IR
IRD connector	3.5mm earphone jack
RS-232 support	Half-duplex (TX --> RX)
RS-232 connector	DE-9 [9-pin D-sub female]

General

Specifications	Values
Input Power	5V DC
Power Consumption	6w max
Weight	TX: 14 oz [395g] RX: 13.7 oz [389g]
Dimensions	4.8" x 3.5" x 1.5" [123 x 91 x 36mm]
Operating Temperature	0~40°C [32~104°F]
Storage Temperature	-20~60°C [-4~140°F]
Relative Humidity	20~90%
Warranty	1 Year

Compliance

