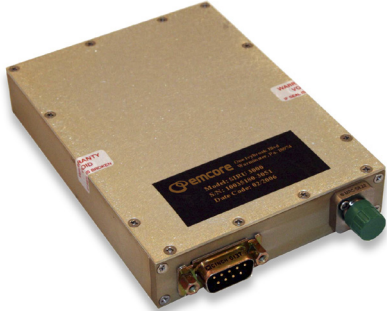


# SIRU3013 .05–13 GHz Unamplified Fiber Optic Receiver



DATASHEET | JULY 2014

MICROWAVE



## Applications

- Microwave Antenna Signal Distribution
- Broadband Delay-Line and Signal Processing Systems
- Frequency Distribution Systems
- Phased Array Antenna Systems, Interferometric Antenna Arrays

## Features

- Integrated High Frequency Photodiode and Bias Circuitry in a Connectorized Package
- 50 MHz - 13 GHz Bandwidth
- 1310 nm and 1550 nm Operation
- High Optical Input Power Capability: +12 dBm (15 mW)

The SIRU3013 (Small Integrated Receiver Unit) is an ideal receiver to use with EMCORE's high-performance externally-modulated fiber optic transmitters. This high-performance optical receiver is designed for applications from 50 MHz to 13 GHz and features high optical input power of up to +12 dBm (15 mW). The SIRU3013 is a fully-integrated unit that contains both high-frequency PIN photodiode and the control electronics. Only DC input voltages and the optical signal are required for operation.

The broad bandwidth of the SIRU3000 units makes it ideal to construct transparent links for microwave antenna signal distribution, Electronic Warfare (EW) systems and Ku- and Ka-Band systems. Other applications include delay lines, signal processing, radar system calibration, phased array antennas and other systems where it is necessary to transport RF and microwave signals over long distances without signal degradation.

## Performance Highlights

Parameter	Min	Typical	Max	Units
Frequency Range	.05	-	13	GHz
Wavelength	-	1550	-	nm
Optical Input Power	-	-	+12	dBm
Temperature Range	-40	-	70	°C

## Absolute Maximum Ratings

Stresses in excess of the absolute maximum ratings can cause permanent damage to the device. These are absolute stress ratings only. Functional operation of the device is not implied at these or any other conditions in excess of those given in the operational sections of the data sheet. Exposure to absolute maximum ratings for extended periods can adversely affect device reliability.

Parameter	Symbol	Min	Max	Units
Operating Temperature (within specifications)	T <sub>OP</sub>	0	50	°C
Operating Temperature (with degraded performance)	T <sub>OP</sub>	-40	70	°C
Storage Temperature	T <sub>STG</sub>	-40	70	°C
Receiver Optical Input Power (damage level threshold)	-	NA	+13	dBm

## Optical Specifications

Parameter	Condition	Min	Typical	Max	Unit
Wavelength	-	1280	-	1580	nm
Optical Power Input	-	-	-	+12 (15mW)	dBm
Responsivity (@ 1310 nm)	-	0.7	-	-	A/W
Responsivity (@ 1550 nm)	-	0.7	-	-	A/W
Connectors	FC/APC	-	-	-	-

# SIRU3013 .05–13 GHz Unamplified Fiber Optic Receiver



DATASHEET | JULY 2014

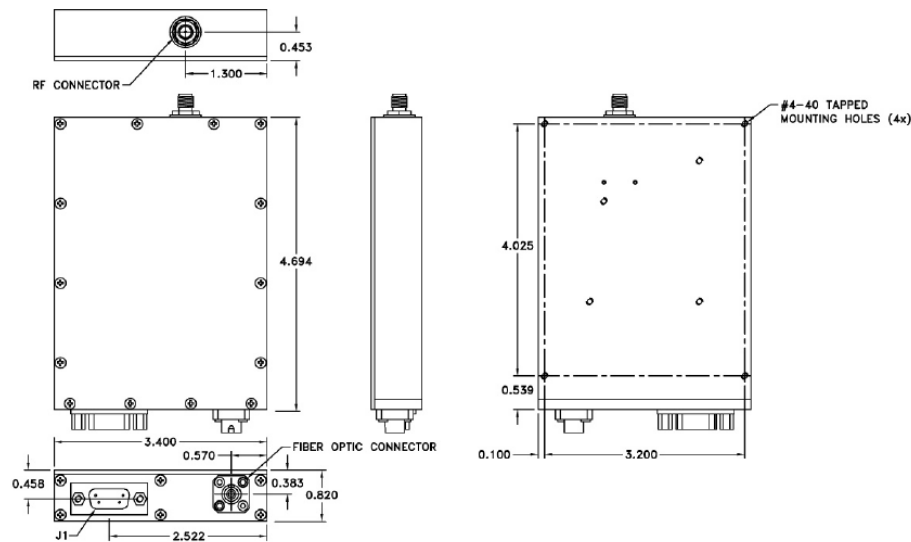
MICROWAVE

## RF Specifications

Parameter	Condition	Min	Typ	Max	Unit
Frequency Range	-	0.05	-	13	GHz
Electrical Power Requirements	-	-	-	+15 V @ 50	mA
RF Response/Gain Variation (S21 w/EMCORE SITU3122 TX)					
0.05 - 1 GHz		-	-	< 5	dB
1 - 13 GHz		-	-	<10	dB
Photodiode Monitor Output	-	-	0.1	-	V/mA
RF Connector	2.92 mm	-	SMA (female)	-	-
RF Output Impedance	-	-	50	0	$\Omega$

Note: Units provide signal transport above and below rated RF bandwidth with some degradation in signal gain and return loss.

## Package Outline Drawing



## Physical Specifications

Parameter	Condition	Min	Typ	Max	Unit
Configuration	Self Contained Housing	-	-	-	-
Dimensions	0.8 H x 4.6 W x 3.4 D	-	-	-	in
	20.32 H x 116.84 W x 86.36 D	-	-	-	mm
Operating/Storage Temperature		-40	-	+70	$^{\circ}$ C
Weight	-	-	10	-	oz
	-	-	283.5	-	g

## D-Connector Pin Out

Pin	Function
1	+15 V
2	n/c
3	n/c
4	GND
5	n/c
6	Photodiode Monitor
7	n/c
8	n/c
9	n/c

## DC Power Consumption

Input Voltage	Max Current
+15	0.7 A

## Ordering Information

Product Name	Description
SIRU3013-00	0.05 - 13 GHz Fiber Optic Receiver Module