

System 10000

**10458C/D/E/F Wideband Receiver
Installation Manual
Revision A
18 February 2011**

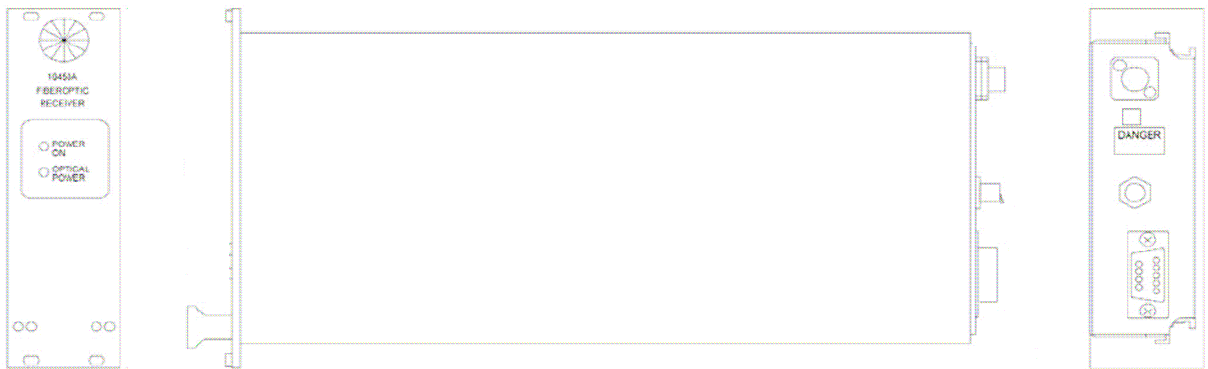


Table of Contents

General	3
Interface.....	4
Installation	5
Operation	6
LED Indicator Tables & Diagram.....	6
Remote Monitoring	7
Discrete.....	7
Specifications	7
Ordering Information	8
Optics Handling & Safety	9
Warranty	10

EMCORE Corporation offers a broad portfolio of compound semiconductor-based components and systems for the broadband, fiber optic, satellite communication, defense and solar power markets. EMCORE has two primary operating segments: Fiber Optics and Photovoltaics. The company's integrated solutions philosophy embodies state-of-the-art technology, material science expertise, and a shared vision of our customer's goals and objectives to be leaders in fiber optics and photovoltaics.

EMCORE's solutions include: optical components and subsystems for fiber-to-the-premise, cable television, high speed data and telecommunication networks; defense photonics products for commercial and military applications including lasers, modulators, spectrometers, sensors, fiber gyro components and diagnostic instruments; solar cells, solar panels, and fiber optic ground station links for global satellite communications.



2015 Chestnut Street Alhambra, California 91803, USA
 (626) 293-3400 Fax: (626)293-3428 www.emcore.com

General

- Rack mount plugin designed for use in the System 10000 platform
- Fully integrated photodiode
- Bandwidth from 50 MHz to 22 GHz
- 50 Ohm
- Fixed RF gain
- Multiple monitoring options provide for panel LED & discrete signal monitoring

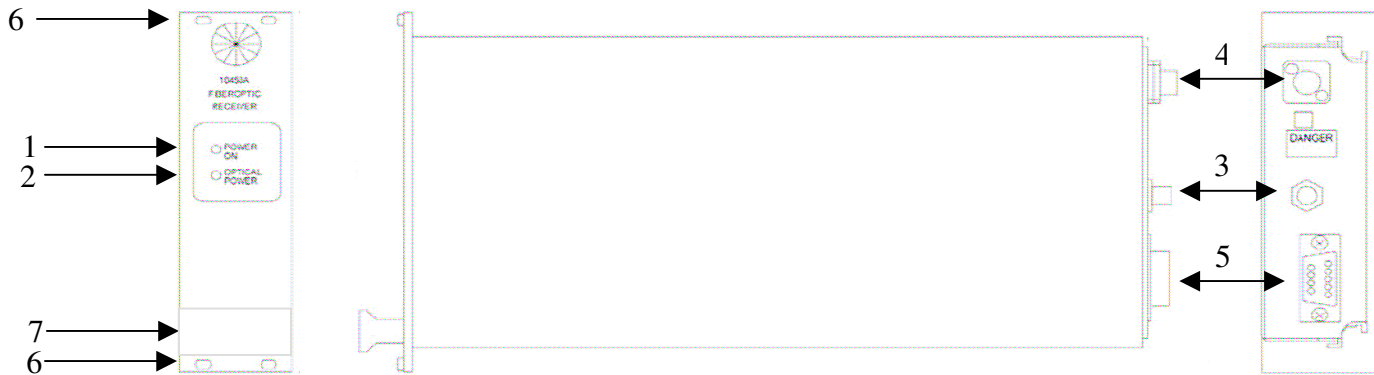


System 10000 Wideband Microwave Receiver when used with the Wideband DFB Laser Transmitters provides optic intra-facility links which are a high-performance, cost-effective alternative to coaxial cable. A block diagram of the receiver is shown in Figure 02. They provide much longer transmission distances than copper cables, which simplify network design, ease installation and even enhance immunity from EMI, RFI and lightning. These transmitters and receivers take the best RF design features of Emcore's extensive families of products and combine them into a compact package compatible with the 10901G Power Supply.

The System 10000 Wideband Microwave Receiver family's wide range of RF with a single chassis. The final result is a system that can be factory or user custom configured to meet a wide range of fiber transport applications.

Interface

Figure 01



1. **Power** This LED illuminated indicates when DC power is present and off when there is no DC power.
2. **Photodiode Optical Power** The LED illuminated indicates the photodiode is receiving optical power greater the -12 dBm.
3. RF output
4. Optical Input (FC/APC shown)
5. DC Power
6. Mounting
7. Handle

Installation

Module Installation

- Install into System 10000 rack chassis and apply DC power.
- Verify that the Power On LED is illuminated and Optical Power LED is off.
- Connect RF output signal cables
- Insert either the SC/APC or FC/APC connector of the fiber jumper in the fiber input connector socket.
- Insert the opposite end of the SC/APC or FC/APC connector of the fiber jumper to optical source.
- Verify that the Optical Power LED is now illuminated.

DC Interface (Table 01)

Pin Number	Function
1	+15 VDC
2	Not Used
3	Not Used
4	Ground
5	Ground
6	Optical Current Monitor
7	Low Optical Power Alarm*
8	Not Used
9	Not Used

*: Open Collector Alarm

The alarm is capable of sinking 20 mA when active and withstanding +15 vdc when off. See Figure 03 for electrical schematic.

Operation

Every step has been taken to ensure simple hands free operation. This will provide the lowest possible distortion.

Receiver (R)

After ensuring that the 10458C/D/E/F is setup and powered ensure the following LED's are illuminated.

Power - Green:	DC power is applied to the transmitter.
Optical Power – Off:	Optical power greater than -12 dBm is received.

Only after the optical input is connected to the optical input of the 10458C/D/E/F will the Optical Power LED be illuminate Green.

Verify that the Receiver has the specified optical output, refer to the supplied test data sheet. Verify that the fiber is terminated with either a SC/APC or FC/APC connector; failure to use the correct connector will result in higher than expected losses and poor system performance.

From the supplied data sheet for the Receiver locate the measure TG and RG values respectively. The numbers added too $2 * (\text{Optical Loss})$ dB will give the overall system gain.

LED Indicator Tables & Diagram

Status LED (Table 02)

LED, Alarm	LED, Good	“Receiver” LED	Notes, Good State
Off	Green	Power	DC Power, present
Off	Green	Optical Power	Optical power > -12 dBm

System 10000 Wideband Fiberoptic Receiver

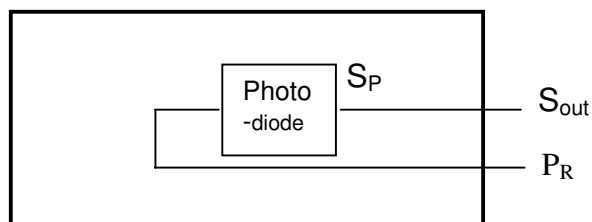


Figure 02

Remote Monitoring

Discrete

The System 10000 System is designed to provide remote status. Use of this feature requires the use of a network management system that can accept discrete inputs.

▪ 10458 (R -Receiver)

Monitored Values

Photodiode Current

1V/1mA

Alarm

Open Collector,

The alarm is capable of sinking 20 mA when active and withstanding +15 vdc when off. See figure 03

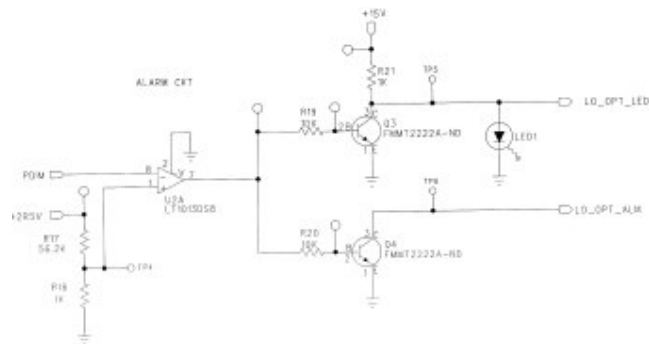


Figure 03

Specifications

10458C/D/E/F

RF Frequency	50 MHz – 22 GHz
RF Flatness	7 dB max (pp)
RF Return loss	>-4 dB
Photodiode input	-12 to +10 dBm
Photodiode Current	10 mA max
RF Flatness	5 dB max (pp)
RF Return loss	>-4 dB
Receive Gain (RG)	-11 dB
3 rd order intercept,	>20 dBm

System 10000 General

Certifications	CE,CSA,FCC,
Operating Temperature	-10 to 55°C
Storage Temperature	-40 to 85°C
Humidity, non-condensing	5 to 95%
Weight, Typical	1.0 lb

Ordering Information

Model Number

Model Number

Each Emcore product is assigned a unique model number and serial number, which appears on the label of the unit. Model numbers for this series have the form **5021XX-Y-ZZ** here; 'X' is a two letter designation specifying the appropriate unit option TR – Receiver, 'Y' is a one letter designation for frequency (A, B, C, D and E), "and 'ZZ' is a two letter designation for the appropriate optical connector SA – SC/APC or FA – FC/APC.

<i>Model Number</i>	<i>Description</i>
----------------------------	---------------------------

Receiver

10458C-FA	Rx, 5GHz, 50 Ohm SMA, FC-APC
10458C-SA	Rx, 5GHz, 50 Ohm SMA, SC-APC
10458D-FA	Rx, 10GHz, 50 Ohm SMA, FC-APC
10458D-SA	Rx, 10GHz, 50 Ohm SMA, SC-APC
10458E-FA	Rx, 20GHz, 50 Ohm SMA, FC-APC
10458E-SA	Rx, 20GHz, 50 Ohm SMA, SC-APC
10458F-FA	Rx, 22GHz, 50 Ohm SMA, FC-APC
10458F-SA	Rx, 22GHz, 50 Ohm SMA, SC-APC

Power Supplies

10901G-NA	Power Supply for 10990A North America AC cord
10901G-UK	Power Supply for 10990A United Kingdom AC cord
10901G-EU	Power Supply for 10990A European AC cord
8218-003	DC power cable for use with the 10901G Power Supply
8218-002	DC power cable for use with the Laboratory Power Supply

Accessories

5220-037	3 Meter SC/APC to SC/APC jumper
----------	---------------------------------

Optics Handling & Safety

Working with fiber optic cables and interfaces require a clean dust free environment. The optical power is confined in the optical core only a few microns in diameter. Small particles of dust can block the proper transfer of light through the connectors. It is therefore important to keep connectors as clean as possible, and when in doubt of the cleanliness of a connector, clean it prior to inserting into a transmitter or receiver receptacle.

A number of events can damage fiber optic connectors. Unprotected connector ends can experience damage by impact, airborne dust particles, or excess humidity or moisture. Never touch the fiber end face of the connector.

When cleaning fiber optic connectors use only Industrial grade 99% pure isopropyl alcohol, lens-grade, lint-free tissue, and optionally canned dry air. Alternatively, there are a number of simple, effective products that are specifically designed for cleaning fiber optic connectors.

Never look onto an illuminated fiber end.

Disclaimer

Every attempt has been made to make this material complete, accurate and up-to-date. Users are cautioned that EMCORE reserves the right to make changes without notice and shall not be held responsible for any damages, including consequential, caused by reliance on the material presented, including, but not limited to, typographical, arithmetical, or listing errors.

WARNINGS, CAUTIONS, LIABILITY, WARRANTY AND GENERAL NOTES

Safety Considerations

When installing or using this product, observe all safety precautions during handling and operation. Failure to comply with the following general safety precautions and with specific precautions described elsewhere in this manual violates the safety standards of the design, manufacture, and intended use of this product. Emcore assumes no liability for the customer's failure to comply with these precautions.



The fiberoptic laser transmitter used in Emcore's System 10000 link contains a class IIIb laser product as defined by the U.S. Department of Health and Human Services, Public Health Service, Food and Drug Administration. This laser product complies with 21 CFR, Chapter I, Subchapter J of the DHEW standards under the Radiation Control for Health and Safety Act of 1968.

The laser operates at nominally 1310 nm with less than 30 mW optical output. The typical optical output for this product is less than 10 mW. The protective laser plug-in module housing prevents a user from being exposed to hazardous optical output levels. Since there is no human access to the laser output during system operation, no special operator precautions are necessary when fiber is connected to the transmitter and receiver. During installation, service, or maintenance, the service technician is warned to not look directly into the end of the fiber connector or the fiber. The light emitted from the fiberoptic connector or any fiber connected to the transmitter is invisible and may be harmful to the human eye. Use either an infrared fluorescent screen or an optical power meter for optical output verification. All handling precautions as outlined by Federal agencies or other authorities of class IIIb lasers must be observed.

Do not attempt to modify or to service the laser diode module. Return it to Emcore for service and repair. Contact the Emcore Customer Service Department for a return authorization and further instructions.

Electrostatic Sensitivity

Observe electrostatic precautionary procedures. Semiconductor laser transmitters and receivers provide highly reliable performance when operated in conformity with their intended design. However, a semiconductor laser may be damaged by an electrostatic charge inadvertently imposed by careless handling.

Static electricity can be conducted to the laser chip from the center pin of the RF input connector, and through the DC connector pins. When unpacking and otherwise handling the transmitter, follow ESD precautionary procedures including use of grounded wrist straps, grounded workbench surfaces, and grounded floor mats.

Exposure to electrostatic charge is greatly reduced after the transmitter or receiver has been installed in an operational circuit.

Service

Do not attempt to modify or service any part of the system other than in accordance with procedures outlined in this Operation Manual. If the system does not meet its warranted specifications, or if a problem is encountered that requires service, return the apparently faulty plug-in or assembly to Emcore for evaluation in accordance with Emcore's warranty policy.

When returning a plug-in or assembly for service, include the following information: Owner, Model Number, Serial Number, Return Authorization Number (obtained in advance from Emcore's Customer Service Dept.), service required and/or description of the problem encountered.

Warranty

Emcore warrants to the original purchaser all standard products sold by Emcore to be free of defects in material and workmanship for one (1) year from date of shipment from Emcore. During the warranty period, Emcore's obligation, at our option, is limited to repair or replacement of any product that Emcore proves to be defective. This warranty does not apply to any product that has been subject to alteration, abuse, improper installation or application, accident, electrical or environmental over-stress, negligence in use, storage, transportation, or handling.

This warranty is the only warranty made by Emcore and is in lieu of all other warranties, expressed or implied, except as to title, and can be amended only by a written instrument signed by an officer of Emcore. Emcore sales agents or representatives are not authorized to make commitments on warranty returns.

Limitations of Liabilities

Emcore's liability on any claim of any kind, including negligence, for any loss or damage arising from, connected with, or resulting from the purchase order, contract, or quotation, or from the performance or breach thereof, or from the design, manufacture, sale, delivery, installation, inspection, operation or use of any equipment covered by or furnished under this contract, shall in no case exceed the purchase price of the device which gives rise to the claim.

EXCEPT AS EXPRESSLY PROVIDED HEREIN, EMCORE MAKES NO WARRANTY OF ANY KIND, EXPRESSED OR IMPLIED, WITH RESPECT TO ANY GOODS, PARTS AND SERVICES PROVIDED IN CONNECTION WITH THIS AGREEMENT INCLUDING, BUT NOT LIMITED TO, THE IMPLIED WARRANTIES OF MERCHANTABILITY AND FITNESS FOR A PARTICULAR PURPOSE. EMCORE SHALL NOT BE LIABLE FOR ANY OTHER DAMAGE INCLUDING, BUT NOT LIMITED TO, INDIRECT, SPECIAL OR CONSEQUENTIAL DAMAGES ARISING OUT OF OR IN CONNECTION WITH

FURNISHING OF GOODS, PARTS AND SERVICE HEREUNDER, OR THE PERFORMANCE, USE OF, OR INABILITY TO USE THE GOODS, PARTS AND SERVICE.

Emcore will not be responsible for loss of output or reduced output of opto-electronic devices if the customer performs chip mounting, ribbon bonding, wire bonding, fiber coupling, fiber connectorization, or similar operations. These processes are critical and may damage the device or may affect the device's output or the fiber output.

Emcore test reports or data indicating mean-time-to-failure, mean-time-between-failure, or other reliability data are design guides and are not intended to imply that individual products or samples of products will achieve the same results. These numbers are to be used as management and engineering tools, and are not necessarily indicative of expected field operation. These numbers assume a mature design, good parts, and no degradation of reliability due to manufacturing procedures and processes.

Emcore is not liable for normal laser output degradation or fiber coupling efficiency degradation over the life of the device.

Every attempt has been made to make this material as complete and accurate and up to date. Users are cautioned that Emcore reserves the right to make changes without notice and shall not be held responsible for any damages, including consequential, caused by reliance on the material presented, including, but not limited to, typographical, arithmetical, or listing errors.

© Copyright 2009 EMCORE Corporation